

## One-touch fittings—threaded type

### Ordering code

Same diameter type fittings

PL 6 01 □ □

① ② ③ ④ ⑤

① Model	② Port size	③ Thread connection	④ Standard color	⑤ Thread type
PHW: Double universal male elbow 	PL: Male elbow 	Thread connection: Adaptable port size  01: 1/8" 02: 1/4" 03: 3/8" 04: 1/2"  Φ4, Φ6 Φ8, Φ10 Φ12	Standard color: Blank: Gray  D: Black  Specification: Release button: Gray Body: Gray  Release button: Black Body: Black  Adaptable model: PCF, PMF  Others  Others	Blank: PT
PHF: Universal female elbow 	PLL: Extended male elbow 			
PEB: Male branch tee 	PLF: Female elbow 			
PED: Male run tee 	PCF: Female connector 			
PYB: Branch "Y" 	PMF: Bulkhead connector 			
PZB: Threaded cross 	PH: Universal male elbow 			

Different diameter type fittings

PKD 6-4 01 □ □

① ② ③ ④ ⑤ ⑥

① Model	② Port size	③ Port size	④ Thread connection	⑤ Standard color	⑥ Thread type
PKD: Male reducer triple branch 	6: Φ6mm 8: Φ8mm 10: Φ10mm	4: Φ4mm 6: Φ6mm 8: Φ8mm	01: 1/8" 02: 1/4" 03: 3/8"	Standard color: Blank: Gray D: Black Specification: Release button: Gray/Body: Gray Release button: Black/Body: Black	Blank: PT

### Specification

Operating pressure range	0~10kgf/cm <sup>2</sup> (0~1.0MPa)
Negative pressure	-750mmHg(10Torr)
Proof pressure	1.5MPa
Ambient and fluid temperature (°C)	-20~70
Applicable tubing	Soft nylon or polyurethane
Color	Gray/black

### Product feature

- Variable models can be widely used in every kind of pneumatic systems.
- High circulation performance: bear the same flow with the volume of the tubing inside diameter.
- Connect tubing easily and conveniently. The tubing connection portion is safe and durable.
- The threaded portion is covered with sealant and the M5 thread is attached with a sealing gasket to prevent air leakage over the connection thread portion.
- Nickle plated mental body is resistant to corrosion and pollution, which has wider range of application.

### Inner structure

No.	Item	Material
1	Release button	POM
2	Guide	Aluminum alloy
3	Spring gasket	Stainless steel
4	Chuck	POM
5	O-ring	NBR
6	Body	PBT
7	O-ring	NBR
8	Stud	Brass

### Table for interface port and tube O.D.

Product series	Thread type	Port size				
		Φ4	Φ6	Φ8	Φ10	Φ12
PL	1/8"	●	●	●	●	●
	1/4"	●	●	●	●	●
	3/8"		●	●	●	●
PLL	1/2"		●	●	●	●
	1/8"	●	●	●	●	
	1/4"	●	●	●	●	
PEB PED PYB	3/8"		●	●	●	●
	1/2"			●	●	●
	1/8"	●	●	●	●	
PH PHF	1/4"		●	●	●	
	3/8"		●	●	●	●
	1/2"			●	●	●
PHW	1/8"	●	●	●		
	1/4"		●	●	●	
	3/8"		●	●	●	●
PZB	1/2"			●	●	●
	1/8"		●	●		
	1/4"		●	●	●	

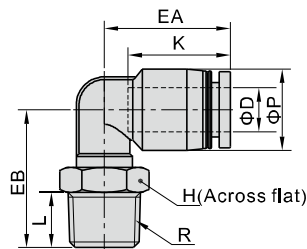
Product series	Thread type	Port size		
		Φ6-Φ4	Φ8-Φ6	Φ10-Φ8
PKD	1/8"	●		
	1/4"		●	
	3/8"			●

# Accessories—One-Touch Fittings

## One-touch fittings—threaded type

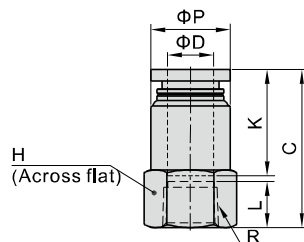
### Dimensions

#### PL Series



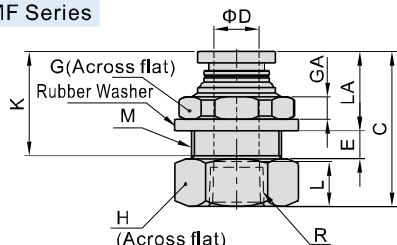
Model\Item	ΦD	R	ΦP	L	K	EA	EB	H	Weight(g)	PCS/bag
PL401	4	PT1/8	9	7.5	14	17	18.5	10	4.5	10
PL402		PT1/4	9	10	14	17	22.0	14	12	10
PL601	6	PT1/8	12.5	7.5	17	20	20.5	10	6	10
PL602		PT1/4	12.5	10	17	20	24.0	14	13.5	10
PL603		PT3/8	12.5	11	17	20	25.5	17	20.5	10
PL604		PT1/2	12.5	14	17	20	30.0	21	36	10
PL801	8	PT1/8	15	7.5	18.5	23	20.5	10	7.5	10
PL802		PT1/4	15	10	18.5	23	25.0	14	13	10
PL803		PT3/8	15	11	18.5	23	26.5	17	21	10
PL804		PT1/2	15	14	18.5	23	31.0	21	36	10
PL1001	10	PT1/8	18	7.5	21	25.5	25.0	17	16.5	10
PL1002		PT1/4	18	10	21	25.5	27.0	17	19	10
PL1003		PT3/8	18	11	21	25.5	28.0	17	21	10
PL1004		PT1/2	18	14	21	25.5	32.5	21	37	10
PL1201	12	PT1/8	21	7.5	23	28.5	26.5	17	19	10
PL1202		PT1/4	21	10	23	28.5	28.5	17	21.5	10
PL1203		PT3/8	21	11	23	29.5	33	17	25.5	10
PL1204		PT1/2	21	14	23	29.5	34	21	37	10

#### PCF Series



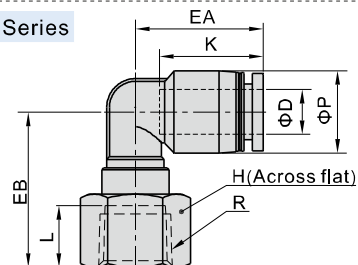
Model\Item	ΦD	R	ΦP	L	C	K	H	Weight(g)	PCS/bag
PCF401	4	PT1/8	9.5	8	23	14	14	4.5	10
PCF402		PT1/4	9.5	11	26	14	17	6.5	10
PCF601	6	PT1/8	12.5	8	25.5	16.5	14	5.6	10
PCF602		PT1/4	12.5	11	28.5	16.5	17	7.5	10
PCF603		PT3/8	13	12	29.5	16.5	21	10.7	10
PCF604		PT1/2	13	13.5	31.0	16.5	25	13.8	10
PCF801	8	PT1/8	14	8	27.5	18.5	14	5.8	10
PCF802		PT1/4	14.5	11	30.5	18.5	17	8.4	10
PCF803		PT3/8	14.5	12	31.5	18.5	21	11.2	10
PCF804		PT1/2	14.5	13.5	33	18.5	25	14.4	10
PCF1001	10	PT1/8	17	8	29	21	17	9.5	10
PCF1002		PT1/4	17	11	33	21	17	9.9	10
PCF1003		PT3/8	18	12	34	21	21	14	10
PCF1004		PT1/2	18	13.5	35.5	21	25	17.1	10
PCF1202	12	PT1/4	21	11	33.5	23	21	17.5	10
PCF1203		PT3/8	21	12	35.5	23	21	16.6	10
PCF1204		PT1/2	21	13.5	37	23	25	19.7	10

#### PMF Series



Model\Item	ΦD	R	M	L	C	K	LA	E	GA	G	H	Weight(g)	PCS/bag
PMF401	4	PT1/8	M12X1	8	25	14	12	4	4	14	14	6.4	10
PMF402		PT1/4	M12X1	11	29	14	12	4	4	14	17	9	10
PMF601	6	PT1/8	M14X1	8	25.5	16.5	12.5	5	4	17	17	9.1	10
PMF602		PT1/4	M14X1	11	30.5	16.5	12.5	5	4	17	17	10.9	10
PMF603		PT3/8	M14X1	12	31.5	16.5	12.5	5	4	17	21	13.2	10
PMF801		PT1/8	M16X1	8	27.5	18.5	13.5	5.5	4	19	19	12.8	10
PMF802	8	PT1/4	M16X1	11	32	18.5	13.5	5.5	4	19	19	15.7	10
PMF803		PT3/8	M16X1	12	33	18.5	13.5	5.5	4	19	21	15	10
PMF804		PT1/2	M16X1	13.5	34.5	18.5	13.5	5.5	4	19	25	18.1	10
PMF1001		PT1/8	M20X1	8	30	21	14.5	7.5	5	24	22	19.6	10
PMF1002	10	PT1/4	M20X1	11	35	21	14.5	7.5	5	24	22	22.8	10
PMF1003		PT3/8	M20X1	12	36	21	14.5	7.5	5	24	22	21.1	10
PMF1004		PT1/2	M20X1	13.5	37.5	21	14.5	7.5	5	24	25	23.2	10
PMF1202		PT1/4	M22X1	11	34.5	23	15.5	8	6	27	24	26.2	10
PMF1203	12	PT3/8	M22X1	12	37.5	23	15.5	8	6	27	24	27	10
PMF1204		PT1/2	M22X1	13.5	39	23	15.5	8	6	27	25	26.2	10

#### PLF Series

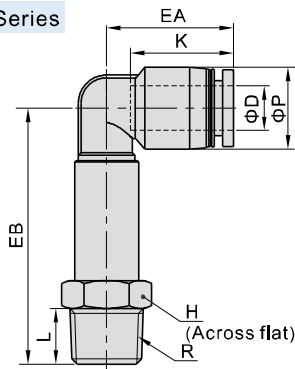


Model\Item	ΦD	R	ΦP	L	K	EA	EB	H	Weight(g)	PCS/bag
PLF401	4	PT1/8	9	8	14	17	21	14	4.6	10
PLF402		PT1/4	9	11	14	17	24	17	6.8	10
PLF601	6	PT1/8	12.5	8	17	20	23	14	5.8	10
PLF602		PT1/4	12.5	11	17	20	26	17	8	10
PLF603		PT3/8	12.5	12	17	20	27	21	10.7	10
PLF801		PT1/8	15	8	18.5	23	20	14	6.6	10
PLF802	8	PT1/4	15	11	18.5	23	27.5	17	9.2	10
PLF803		PT3/8	15	12	18.5	23	28.5	21	11.9	10
PLF804		PT1/2	15	13.5	18.5	23	30	25	15.2	10
PLF1001		PT1/8	18	8	21	25.5	24	17	11.3	10
PLF1002	10	PT1/4	18	11	21	25.5	26.5	17	11.2	10
PLF1003		PT3/8	18	12	21	25.5	30	21	14.5	10
PLF1004		PT1/2	18	13.5	21	25.5	31.5	25	17.4	10
PLF1202		PT1/4	21	11	23	28.5	28.5	17	13.7	10
PLF1203	12	PT3/8	21	12	23	29.5	32	21	17.4	10
PLF1204		PT1/2	21	13.5	23	29.5	33	25	20.4	10

# Accessories—One-Touch Fittings

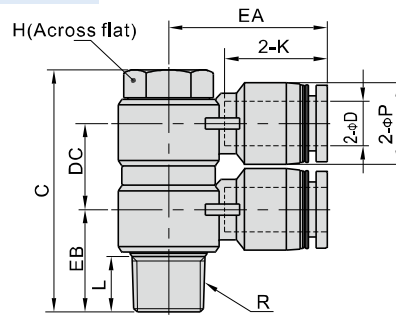
## One-touch fittings—threaded type

### PLL Series



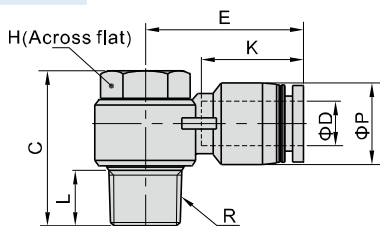
Model\Item	ΦD	R	ΦP	L	K	EA	EB	H	Weight(g)	PCS/bag
PLL401	4	PT1/8	9	7.5	14	17	35.5	10	12.3	10
PLL402	4	PT1/4	9	10	14	17	38.5	14	16.9	10
PLL601	6	PT1/8	12.5	7.5	17	20	37.5	10	13	10
PLL602	6	PT1/4	12.5	10	17	20	40.5	14	18	10
PLL603	6	PT3/8	12.5	11	17	20	43	17	23.4	10
PLL801	8	PT1/8	15	7.5	18.5	23	43.5	12	16.6	10
PLL802	8	PT1/4	15	10	18.5	23	45.5	14	22.7	10
PLL803	8	PT3/8	15	11	18.5	23	48	17	27.7	10
PLL1001	10	PT1/8	18	7.5	21	25.5	50.5	15	37.5	10
PLL1002	10	PT1/4	18	10	21	25.5	53.5	15	40.6	10
PLL1003	10	PT3/8	18	11	21	25.5	54.5	17	40.7	10
PLL1004	10	PT1/2	18	14	21	25.5	59	21	47.4	10
PLL1202	12	PT1/4	21	10	23	28.5	55.5	15	43	10
PLL1203	12	PT3/8	21	11	23	29.5	60	17	55.4	10
PLL1204	12	PT1/2	21	14	23	29.5	63	21	56.7	10

### PHW Series



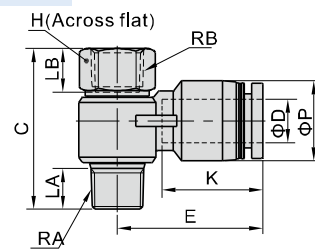
Model\Item	ΦD	R	ΦP	L	C	K	EA	EB	DC	H	Weight(g)	PCS/bag
PHW401	4	PT1/8	9	7.5	38	14	20.5	14.5	13	11	19	10
PHW601	6	PT1/8	12.5	7.5	38	16.5	23.0	15	13	11	21	10
PHW602	6	PT1/4	12.5	10	43.5	16.5	25.0	17.5	15.5	14	40.2	10
PHW603	6	PT3/8	12.5	11	50	16.5	27.0	20	16.5	19	69.2	5
PHW801	8	PT1/8	15	7.5	40.5	18.5	26.5	16.5	15.5	11	23.6	10
PHW802	8	PT1/4	15	10	43.5	18.5	28.5	18.5	15.5	14	40.8	10
PHW803	8	PT3/8	15	11	50	18.5	29.5	20	16.5	19	70.4	5
PHW804	8	PT1/2	15	14	61	18.5	32	24.5	22	24	134.8	5
PHW1002	10	PT1/4	18	10	46.5	21	31	20	18.5	14	47	10
PHW1003	10	PT3/8	18	11	55	21	33	21	22	19	87.5	5
PHW1004	10	PT1/2	18	14	61	21	35.5	25	22	24	137.7	5
PHW1203	12	PT3/8	21	11	55	23	36	23	22	19	86.4	5
PHW1204	12	PT1/2	21	14	61	23	38	26.5	22	24	147.5	5

### PH Series



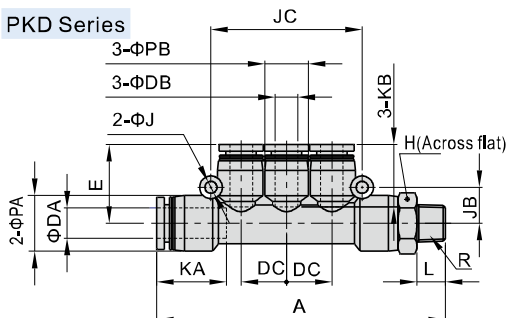
Model\Item	ΦD	R	ΦP	L	C	K	E	H	Weight(g)	PCS/bag
PH401	4	PT1/8	9	7.5	25	14	20.5	11	12.8	10
PH601	6	PT1/8	12.5	7.5	25	16.5	23	11	14	10
PH602	6	PT1/4	12.5	10	28	16.5	25	14	25.4	10
PH603	6	PT3/8	12.5	11	33	16.5	27	19	50.2	5
PH801	8	PT1/8	15	7.5	25	18.5	26.5	11	14.7	10
PH802	8	PT1/4	15	10	28	18.5	28.5	14	26.4	10
PH803	8	PT3/8	15	11	33	18.5	29.5	19	49.4	5
PH804	8	PT1/2	15	14	39	18.5	32	24	89	5
PH1002	10	PT1/4	18	10	28	21	31	14	27.7	10
PH1003	10	PT3/8	18	11	33	21	33	19	51.1	5
PH1004	10	PT1/2	18	14	39	21	35.5	24	88.5	5
PH1203	12	PT3/8	21	11	33	23	36	19	53	5
PH1204	12	PT1/2	21	14	39	23	38	24	92.8	5

### PHF Series



Model\Item	ΦD	RA	RB	ΦP	LA	LB	C	K	E	H	Weight(g)	PCS/bag
PHF401	4	PT1/8	PT1/8	9	7.5	8	29.5	14	20.5	12	12.9	10
PHF601	6	PT1/8	PT1/8	12.5	7.5	8	29.5	16.5	23	12	13.9	10
PHF602	6	PT1/4	PT1/4	12.5	10	11	35	16.5	25	17	30.3	10
PHF603	6	PT3/8	PT3/8	12.5	11	12	40	16.5	27	19	44.2	5
PHF801	8	PT1/8	PT1/8	15	7.5	8	29.5	18.5	26.5	12	15	10
PHF802	8	PT1/4	PT1/4	15	10	11	35	18.5	28.5	17	30.7	10
PHF803	8	PT3/8	PT3/8	15	11	12	40	18.5	29.5	19	44.8	5
PHF804	8	PT1/2	PT1/2	15	14	13.5	47.5	18.5	32	24	84.7	5
PHF1002	10	PT1/4	PT1/4	18	10	11	35	21	31	17	32	10
PHF1003	10	PT3/8	PT3/8	18	11	12	40	21	33	19	46.2	5
PHF1004	10	PT1/2	PT1/2	18	14	13.5	47.5	21	35.5	24	86.1	5
PHF1203	12	PT3/8	PT3/8	21	11	12	40	23	36	19	48.4	5
PHF1204	12	PT1/2	PT1/2	21	14	13.5	47.5	23	38	24	89.7	5

### PKD Series



Model\Item	ΦDA	ΦDB	R	L	A	ΦPA	ΦPB	KA	KB
PKD6-401	6	4	PT1/8	7.5	66.5	12.5	9	16.5	14
PKD8-602	8	6	PT1/4	10	79	15	12.5	18.5	16.5
PKD10-803	10	8	PT3/8	11	91.5	18	15	21	18.5

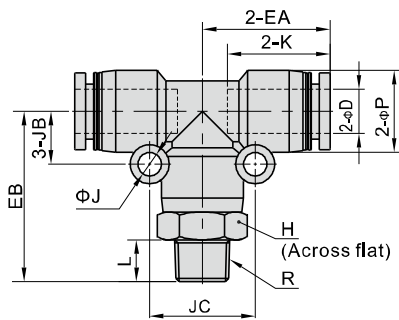
  

Model\Item	ΦJ	JB	JC	DC	E	H	Weight(g)	PCS/bag
PKD6-401	3.2	8	34	10	17.5	12	15.8	2
PKD8-602	3.2	9.5	40	12	21	14	26.5	2
PKD10-803	4.3	11	48	14.5	24	17	38.2	2

# Accessories—One-Touch Fittings

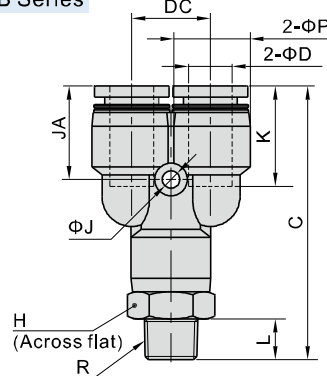
## One-touch fittings—threaded type

### PEB Series



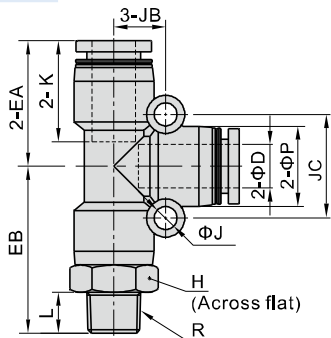
Model/Item	φD	R	φP	L	K	EA	EB	φJ	JB	JC	H	Weight(g)	PCS/bag
PEB401	4	PT1/8	9	7.5	14	17	25	3.2	6.5	13	10	8.8	10
PEB402	4	PT1/4	9	10	14	17	28	3.2	6.5	13	14	15.5	10
PEB601	6	PT1/8	12.5	7.5	16.5	20	27.5	3.2	8	16	12	13.5	10
PEB602	6	PT1/4	12.5	10	16.5	20	30.5	3.2	8	16	14	18.6	10
PEB603	6	PT3/8	12.5	11	16.5	20	32	3.2	8	16	17	25.3	10
PEB801	8	PT1/8	15	7.5	18.5	23	30.5	4.3	9.5	19	14	18.4	10
PEB802	8	PT1/4	15	10	18.5	23	33	4.3	9.5	19	14	21.3	10
PEB803	8	PT3/8	15	11	18.5	23	34.5	4.3	9.5	19	17	28.2	10
PEB804	8	PT1/2	15	14	18.5	23	38.5	4.3	9.5	19	21	41	10
PEB1001	10	PT1/8	18	7.5	21	26.5	34	4.3	11	22	17	26.7	10
PEB1002	10	PT1/4	18	10	21	26.5	36.5	4.3	11	22	17	29.2	10
PEB1003	10	PT3/8	18	11	21	26.5	37.5	4.3	11	22	17	31.9	10
PEB1004	10	PT1/2	18	14	21	26.5	41.5	4.3	11	22	21	45.4	10
PEB1202	12	PT1/4	21	10	23	30	41	4.3	13	26	21	49.6	10
PEB1203	12	PT3/8	21	11	23	30	42	4.3	13	26	21	51.2	10
PEB1204	12	PT1/2	21	14	23	30	45	4.3	13	26	21	57.3	10

### PYB Series



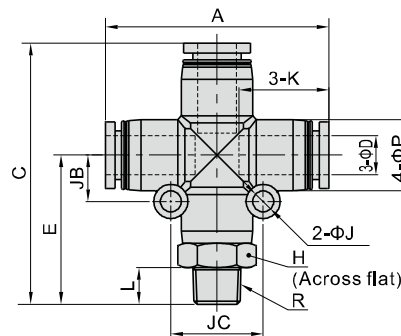
Model/Item	φD	R	φP	L	C	K	φJ	JA	DC	H	Weight(g)	PCS/bag
PYB401	4	PT1/8	9	7.5	39.5	14	3.2	13	10	10	9	10
PYB402	4	PT1/4	9	10	42.5	14	3.2	13	10	14	10.8	10
PYB601	6	PT1/8	12.5	7.5	44.5	16.5	3.2	15.5	12	12	13.7	10
PYB602	6	PT1/4	12.5	10	47.5	16.5	3.2	15.5	12	14	18.2	10
PYB603	6	PT3/8	12.5	11	49.0	16.5	3.2	15.5	12	17	25	10
PYB801	8	PT1/8	15	7.5	50	18.5	3.2	17	14.5	14	19.8	10
PYB802	8	PT1/4	15	10	52.5	18.5	3.2	17	14.5	14	22	10
PYB803	8	PT3/8	15	11	54	18.5	3.2	17	14.5	17	27.7	10
PYB804	8	PT1/2	15	14	58	18.5	3.2	17	14.5	21	40.8	10
PYB1001	10	PT1/8	18	7.5	56.5	21	4.3	19.5	18	17	27.4	10
PYB1002	10	PT1/4	18	10	59	21	4.3	19.5	18	17	29.5	10
PYB1003	10	PT3/8	18	11	60	21	4.3	19.5	18	17	32.5	10
PYB1004	10	PT1/2	18	14	64	21	4.3	19.5	18	21	45.4	10
PYB1202	12	PT1/4	21	10	66	23	4.3	21	20.5	21	27.3	10
PYB1203	12	PT3/8	21	11	67	23	4.3	21	20.5	21	51.8	10
PYB1204	12	PT1/2	21	14	70	23	4.3	21	20.5	21	56.8	10

### PED Series



Model/Item	φD	R	φP	L	K	EA	EB	φJ	JB	JC	H	Weight(g)	PCS/bag
PED401	4	PT1/8	9	7.5	14	17	25	3.2	6.5	13	10	8.8	10
PED402	4	PT1/4	9	10	14	17	28	3.2	6.5	13	14	15.5	10
PED601	6	PT1/8	12.5	7.5	16.5	20	27.5	3.2	8	16	12	13.5	10
PED602	6	PT1/4	12.5	10	16.5	20	30.5	3.2	8	16	14	18.6	10
PED603	6	PT3/8	12.5	11	16.5	20	32	3.2	8	16	17	25.3	10
PED801	8	PT1/8	15	7.5	18.5	23	30.5	4.3	9.5	19	14	18.4	10
PED802	8	PT1/4	15	10	18.5	23	33	4.3	9.5	19	14	21.3	10
PED803	8	PT3/8	15	11	18.5	23	34.5	4.3	9.5	19	17	28.2	10
PED804	8	PT1/2	15	14	18.5	23	38.5	4.3	9.5	19	21	41	10
PED1001	10	PT1/8	18	7.5	21	26.5	34	4.3	11	22	17	26.7	10
PED1002	10	PT1/4	18	10	21	26.5	36.5	4.3	11	22	17	29.2	10
PED1003	10	PT3/8	18	11	21	26.5	37.5	4.3	11	22	17	31.9	10
PED1004	10	PT1/2	18	14	21	26.5	41.5	4.3	11	22	21	45.4	10
PED1202	12	PT1/4	21	10	23	30	41	4.3	13	26	21	49.6	10
PED1203	12	PT3/8	21	11	23	30	42	4.3	13	26	21	51.2	10
PED1204	12	PT1/2	21	14	23	30	45	4.3	13	26	21	57.3	10

### PZB Series



Model/Item	φD	R	L	A	E	C	φP	K	φJ	JB	JC	H	Weight(g)	PCS/bag
PZB601	6	PT1/8	7.5	27.5	47.5	12.5	16.5	3.2	8	16	14	15.2	10	
PZB602	6	PT1/4	10	39.5	50.5	12.5	16.5	3.2	8	16	14	20.4	10	
PZB603	6	PT3/8	11	32	52	15	18.5	4.3	9.5	19	17	27	10	
PZB801	8	PT1/8	7.5	30.5	53.5	18	21	4.3	11	22	17	20.9	10	
PZB802	8	PT1/4	10	46	33	56	18	21	4.3	11	22	14	23.8	10
PZB803	8	PT3/8	11	34.5	57.5	18	21	4.3	11	22	17	29.9	10	
PZB804	8	PT1/2	14	38.5	61.5	18	21	4.3	11	22	21	43.5	10	
PZB1002	10	PT1/4	10	36.5	63	18	21	4.3	11	22	17	33.5	10	
PZB1003	10	PT3/8	11	52.5	37.5	64	18	21	4.3	11	22	17	36.5	10
PZB1004	10	PT1/2	14	41.5	68	18	21	4.3	11	22	21	49.2	10	
PZB1203	12	PT3/8	11	59.5	42	72	21	23	4.3	13	26	21	56.5	10
PZB1204	12	PT1/2	14	45	75	21	23	4.3	13	26	21	65.4	10	

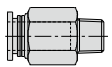
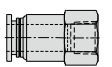
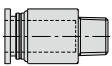
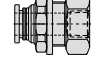


## Metal one-touch fittings

### Ordering code

BPC 6 01 □

① ② ③ ④

① Model	② Port size	③ Thread connection	④ Thread type
BPC: Metal male connector  BPCF: Metal female connector 	4 : Φ4mm 6 : Φ6mm 8 : Φ8mm 10 : Φ10mm 12 : Φ12mm	M5 : M5X0.8 01 : 1/8" 02 : 1/4" 03 : 3/8" 04 : 1/2"	Blank: PT
BPOC: Hexagon socket head metal male connector  BPMF: Metal bulkhead female connector 			

### Specification

Operating pressure range	0~9kgf/cm <sup>2</sup> (0~0.9MPa)
Negative pressure	-750mmHg(10Torr)
Proof pressure	1.5MPa
Ambient and fluid temperature (°C)	0~150
Applicable tubing	Soft nylon or polyurethane
Color	Gray/black

Note: The temperature resistance level of the tubing should be confirmed first when used in high temperature environments.

### Product feature

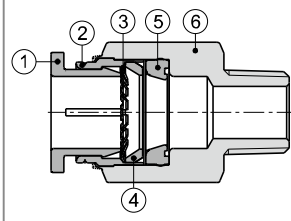
1. High flow capacity; The flow rate of these fittings is equivalent to that of the adaptable tubings.
2. Inserting or removal tubing is simple and convenient, and the connecting portion is reliable and durable.
3. Sealant is coated on threaded portion.
4. The fitting metal body adopts a special nickel-plating process, which has good corrosion resistance.
5. Metal fittings can be used in high temperature environment.

### Table for interface port and tube O.D.

Product series	Thread type	Port size				
		Φ4	Φ6	Φ8	Φ10	Φ12
BPC	1/8"	•	•	•	•	
	1/4"	•	•	•	•	•
	3/8"		•	•	•	•
	1/2"				•	•
BPOC	M5	•	•			
	1/8"	•	•	•		
	1/4"		•	•	•	
	3/8"				•	•
BPCF	1/8"	•	•	•		
	1/4"		•	•	•	
	3/8"				•	•
	1/2"					•
BPMF	1/8"	•	•	•		
	1/4"		•	•	•	
	3/8"				•	•
	1/2"					•

### Inner structure

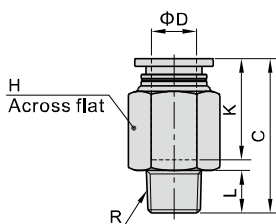
BPC Series		
NO.	Name	Material
1	Metal connector	Aluminum alloy
2	Locating ring	Aluminum alloy
3	Spring gasket	Stainless steel
4	Locating seat	Aluminum alloy
5	Special shape O-ring	Viton
6	Straight connector body	Brass



## Metal one-touch fittings

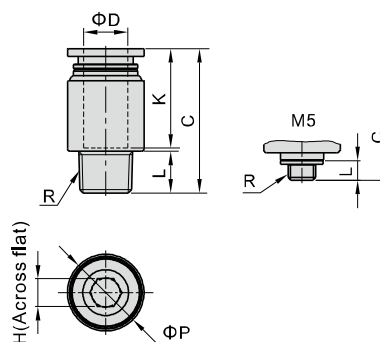
### Dimensions

#### BPC Series



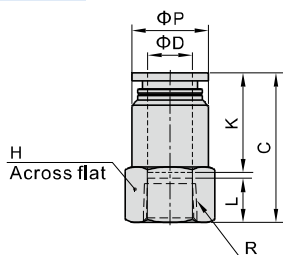
Model\Item	ΦD	R	L	C	K	H	Weight(g)	PCS/bag
BPC401	4	PT1/8	7.5	19.5	14	10	7.9	10
BPC402		PT1/4	10	19	14	14	8.7	10
BPC601	6	PT1/8	7.5	21.5	18	12	14.2	10
BPC602		PT1/4	10	24	18	14	19.1	10
BPC603	8	PT3/8	11	22.5	18	17	26.8	10
BPC801		PT1/8	7.5	27.5	18	14	16.1	10
BPC802	8	PT1/4	10	26.5	18	14	16	10
BPC803		PT3/8	11	23	18	17	25.4	10
BPC1001	10	PT1/8	7.5	29.5	20.5	17	24.5	10
BPC1002		PT1/4	10	32	20.5	17	28	10
BPC1003	10	PT3/8	11	27.5	20.5	17	34.6	10
BPC1004		PT1/2	14	25.5	20.5	21	39.3	10
BPC1202	12	PT1/4	10	34.5	22	21	44.5	10
BPC1203		PT3/8	11	30	22	21	34.2	10
BPC1204	PT1/2	14	32	22	21	47	10	

#### BPOC Series



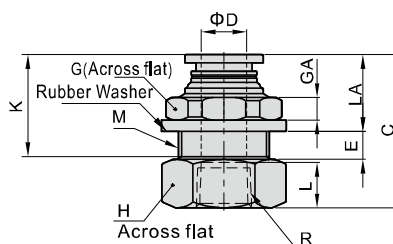
Model\Item	ΦD	R	ΦP	L	C	K	H	Weight(g)	PCS/bag
BPOC4M5	4	M5X0.8	9	3.5	18.5	14	2	4.4	10
BPOC401		PT1/8	10	7.5	17.5	14	2.5	6.6	10
BPOC6M5	6	M5X0.8	12	3.5	21	16	2	7.1	10
BPOC601		PT1/8	12	7.5	21.5	18	4	8.4	10
BPOC602	8	PT1/4	14	10	21.5	18	4	13.6	10
BPOC801		PT1/8	14	7.5	26	17.5	5	12.3	10
BPOC802	8	PT1/4	14	10	24.5	17.5	6	12.7	10
BPOC1002		PT1/4	17	10	28.5	20.5	6	18.5	10
BPOC1003	10	PT3/8	17	11	27.5	20.5	8	24.9	10
BPOC1203		PT3/8	21	11	29.5	22	8	30.4	10
BPOC1204	12	PT1/2	21	14	31.5	22	8	42.4	10

#### BPCF Series



Model\Item	ΦD	R	ΦP	L	C	K	H	Weight(g)	PCS/bag
BPCF401	4	PT1/8	9.5	8	23	14	14	5.3	10
BPCF601	6	PT1/8	12.5	8	25	16	14	7.2	10
BPCF602		PT1/4	12.5	11	28	16	17	9.2	10
BPCF801	8	PT1/8	14	8	27	18	14	7.1	10
BPCF802		PT1/4	14.5	11	30	18	17	10.6	10
BPCF1002	10	PT1/4	17	11	32.5	20.5	17	13.5	10
BPCF1003		PT3/8	18	12	33.5	20.5	21	17.5	10
BPCF1203	12	PT3/8	21	12	35	22	21	22	10
BPCF1204		PT1/2	21	13.5	36.5	22	25	24.9	10

#### BPMF Series



Model\Item	ΦD	R	M	L	C	K	LA	E	GA	G	H	Weight(g)	PCS/bag
BPMF401	4	PT1/8	M12X1	8	25	14	12	4	4	14	14	7.6	10
BPMF601	6	PT1/8	M14X1	8	25	16	12	5	4	17	17	10.4	10
BPMF602		PT1/4	M14X1	11	30	16	12	5	4	17	17	12.2	10
BPMF801	8	PT1/8	M16X1	8	27	18	13	5.5	4	19	19	13.9	10
BPMF802		PT1/4	M16X1	11	31.5	18	13	5.5	4	19	19	15.3	10
BPMF1002	10	PT1/4	M20X1	11	34.5	20.5	14	7.5	5	24	22	26.2	10
BPMF1003		PT3/8	M20X1	12	35.5	20.5	14	7.5	5	24	22	24.4	10
BPMF1203	12	PT3/8	M22X1	12	37	22	15	8	6	27	24	32.6	10
BPMF1204		PT1/2	M22X1	13.5	38.5	22	15	8	6	27	25	31.8	10

## One-touch fittings—threaded type

### Ordering code

BB 01 01 □



① Model				② Thread connection I	③ Thread connection II	④ Thread type
BB: Male connector	BD: Male & female connector[Note1]	BU: Double female connector	BZ: Hexagon head cap plug[Note2]	01 : 1/8" 02 : 1/4" 03 : 3/8" 04 : 1/2"	01 : 1/8" 02 : 1/4" 03 : 3/8" 04 : 1/2"	Blank: PT

[Note1] For BD series, Thread I is Female thread, Thread II is male thread; [Note2] For BZ series, no thread II and thread I is male thread.

### Specification

Operating pressure range	0~10kgf/cm <sup>2</sup> (0~1.0MPa)
Negative pressure	-750mmHg(10Torr)
Proof pressure	3.0MPa
Ambient and fluid temperature (°C)	0~150

### Configuration table of tubing thread

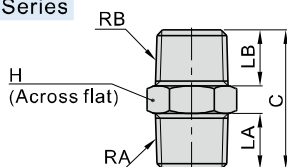
Product series	Thread connection I	Thread connection II			
		01	02	03	04
BB	01	•	•	•	
	02		•	•	•
	03			•	•
	04				•
BD	01		•	•	•
	02			•	•
	03				•
	04				
BU	01	•			
	02		•		
	03			•	
	04				•
Product series	Thread connection				
	01	02	03	04	
BZ	•	•	•	•	

### Product feature

1. Variable models can be widely used in every kind of pneumatic systems.
2. High circulation performance bear the same flow with the volume of the tube innerdiameter.
3. The nickel plated body is anti-corrosion and anti-pollution, which allows a broader application.
4. Metal fittings can be used in high temperature environment.

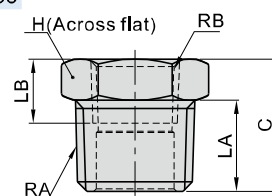
### Dimensions

#### BB Series



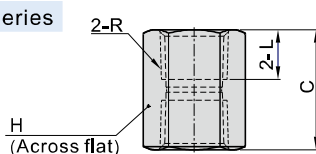
Model\Item	RA	RB	LA	LB	C	H	Weight(g)	PCS/bag
BB0101	PT1/8	PT1/8	7.5	7.5	19.5	10	6.6	10
BB0102	PT1/4	PT1/8	10	7.5	22.5	14	12.1	10
BB0103	PT3/8	PT1/8	11	7.5	24	17	18.3	10
BB0202	PT1/4	PT1/4	10	10	25	14	14.6	10
BB0203	PT3/8	PT1/4	11	10	26.5	17	20.3	10
BB0204	PT1/2	PT1/4	14	10	30	21	34.3	10
BB0303	PT3/8	PT3/8	11	11	27.5	17	23.2	10
BB0304	PT1/2	PT3/8	14	11	31	21	36.2	10
BB0404	PT1/2	PT1/2	14	14	34	21	42.8	10

#### BD Series



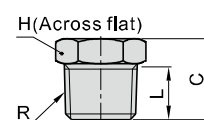
Model\Item	RA	RB	LA	LB	C	H	Weight(g)	PCS/bag
BD0102	PT1/4	PT1/8	10	8	14.5	14	8.8	10
BD0103	PT3/8	PT1/8	11	8	16	17	17.1	10
BD0104	PT1/2	PT1/8	14	8	19.5	21	33.1	10
BD0203	PT3/8	PT1/4	11	11	16	17	12.7	10
BD0204	PT1/2	PT1/4	14	11	19.5	21	29.9	10
BD0304	PT1/2	PT3/8	14	12	19.5	21	22.5	10

#### BU Series



Model\Item	R	L	C	H	Weight(g)	PCS/bag
BU0101	PT1/8	8	17	12	8.4	10
BU0202	PT1/4	11	23	17	25.4	10
BU0303	PT3/8	12	25	21	40	10
BU0404	PT1/2	13.5	28	24	46.6	10

#### BZ Series



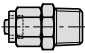
Model\Item	R	L	C	H	Weight(g)	PCS/bag
BZ01	PT1/8	7.5	11	10	4.6	10
BZ02	PT1/4	10	14.5	14	10.8	10
BZ03	PT3/8	11	16	17	17.4	10
BZ04	PT1/2	14	19.5	21	33	10

## One-touch fittings—threaded type

### Ordering code

**BKC 06 04 - 01** □

① ② ③ ④ ⑤

① Model	② Tubing outer diameter	③ Tubing inner diameter	④ Thread connection	⑤ Thread type
BKC: Straight locknut connector 	04 : Φ4mm 06 : Φ6mm 08 : Φ8mm 10 : Φ10mm 12 : Φ12mm	25 : Φ2.5mm 04 : Φ4mm 05 : Φ5mm 06 : Φ6mm 65 : Φ6.5mm 75 : Φ7.5mm 08 : Φ8mm 09 : Φ9mm	01 : 1/8" 02 : 1/4" 03 : 3/8" 04 : 1/2"	Blank: PT

Note: When using the tubing Φ8×Φ5.5, the straight lock nut connector of BKC0806 can be used.

### Specification

<b>Operating pressure range</b>	<b>0~10kgf/cm<sup>2</sup>(0~1.0MPa)</b>
Negative pressure	-750mmHg(10Torr)
Proof pressure	3.0MPa
Ambient and fluid temperature (°C)	0~150

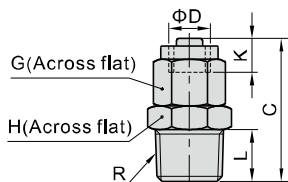
Note: The temperature resistance level of the tubing should be confirmed first when used in high temperature environments.

### Product feature

1. Variable models can be widely used in every kind of pneumatic systems.
2. High circulation performance bear the same flow with the volume of the tube inner diameter.
3. The nickel plated body is anti-corrosion and anti-pollution, which allows a broader application.
4. Metal fittings can be used in high temperature environments.

### Dimensions

#### BKC Series



Model/Item	ΦD		R	L	C	K	G	H	Weight (g)	PCS/bag	Model/Item	R	ΦD		L	C	K	G	H	Weight (g)	PCS/bag
	O.D	I.D											O.D	I.D							
BKC0425-01	4	2.5	PT1/8	7.5	20.5	5	8	10	7.1	10	BKC1065-02	PT1/4	10	6.5	10	30	7.5	15	15	25.3	10
BKC0604-01	6	4	PT1/8	7.5	22	5.5	10	10	9.9	10	BKC1065-03	PT3/8							10	6.5	11
BKC0604-02			PT1/4	10	25.5			14	15.8	10	BKC1065-04	PT1/2	10	7.5	10	30	7.5	15			
BKC0604-03	PT3/8	11	27	17	22.5	10	BKC1075-02	PT1/4	10	7.5	10	30							7.5	15	15
BKC0805-01	8	5	PT1/8	7.5	24	6.5	12	12					12.8	10	BKC1075-03	PT3/8	10	7.5			11
BKC0805-02			PT1/4	10	27.5			14	17.2	10	BKC1075-04	PT1/2	10	8	14	35.5			7.5	17	
BKC0805-03	PT3/8	11	29	17	23.7	10	BKC1208-02	PT1/4	12	8	10	30					7.5	17			17
BKC0806-01	8	5.5	PT1/8	7.5	24	6.5	12	12					13.1	10	BKC1208-03	PT3/8			12	8	11
BKC0806-02			PT1/4	10	27.5			14	17.2	10	BKC1208-04	PT1/2	12	8	14	35.5	7.5	17			
BKC0806-03	PT3/8	11	29	17	23.6	10	BKC1209-02	PT1/4	12	g	10	30							7.5	17	17
							BKC1209-03	PT3/8					12	g	11	31.5	7.5	17			17
							BKC1209-04	PT1/2	12	g	14	35.5							7.5	17	21

### Installation and application

1. Method of inserting or removal a tubing
  - 1.1 Inserting a tubing  
Place the locking cap over the tubing, and insert the tubing into the body, then tighten the locking cap. (As figure 1)
  - 1.2 Removing a tubing  
Loosen the locking cap first, then remove the tubing. (As figure 2)
2. Method of tightening the connector thread  
Tighten the connector with a hex wrench, as shown right.

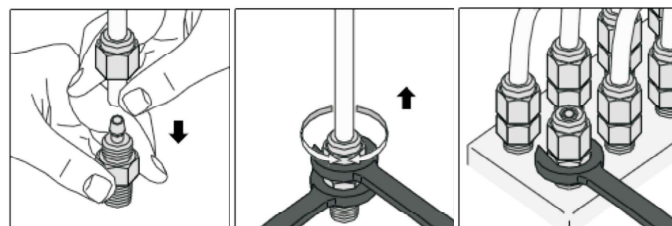


Figure 1

Figure 2

Figure 3