

Integrated solenoid valve's cable

F-DSUB25



Specification

1. Flame resistant grade: UL94 VW-1.
2. Rated temperature: 80°C.
3. Rated voltage: 300V.

How to select cable

Cable type\Valve type	CPV10S	CPV15S
F-DSUB25	●	●

Cable ordering code

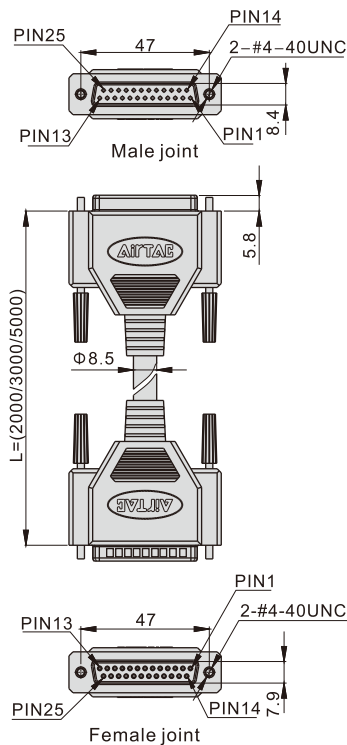
F - DSUB 25 F 200

① ② ③ ④

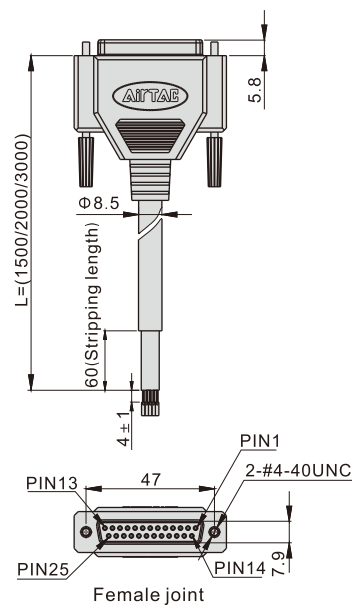
① Model	DSUB: D-SUB Cable					
② Pin Number	25: 25PIN					
③ Terminal type	F: Two Females		M: One Female+another male		S: One Females+another wire	
④ Wire length	200: 2m	300: 3m	500: 5m	150: 1.5m	200: 2m	300: 3m

Dimensions and wire's assignment

F-DSUB25F(M)



F-DSUB25S



Wire's assignment

PIN	Color
1	Red+Black
2	Gray+Black
3	Brown+Black
4	Orange+Black
5	Yellow+Black
6	Green+Black
7	Blue+Black
8	White+Black
9	Violet+Red
10	Silt green+Black
11	Pink blue+Black
12	Pink+Black
13	Black
14	Red
15	Gray
16	Brown
17	Orange
18	Yellow
19	Green
20	Blue
21	White
22	Violet
23	Silt green
24	Pink blue
25	Pink